

# High speed door

## Albany HS9010PL

ASSA ABLOY

ASSA ABLOY Entrance Systems

The global leader in door opening solutions



### Large sized high speed door for inside applications

The main features of the Albany HS9010PL are:

- Large-sized, max. 11000 x 5500 mm
- Heavy-duty operations
- Inside usage
- Galvanised steel construction
- Unique direct door drive system
- Opening speed up to 0,8 m/s

The unique direct door drive system eliminates the need for weighted bottom bars or tension systems by actively driving the door curtain. An exceptional reliability and smooth operation is ensured by a frequency inverter driven motor for a soft start and stop.

The robust steel, IP54 classified, control box is easy to operate and to program. The mechanical main switch and emergency stop make it foolproof. The clear display gives a wide range of information like an easy to read cycle counter.

#### Break-away - and Automatic Repair system

Albany high speed doors are equipped with a break-away - and automatic repair system. The curtain reintroduces itself after a crash to reduce downtime and maintenance.

#### Completely safe

Features that make our doors completely safe.

- The soft bottom edge has no rigid parts, it moulds around any obstruction to prevent injury or damage.
- When an object hits the door, the fabric curtain absorbs the impact and releases itself from its side guides without causing damage or being damaged itself.

#### Windows

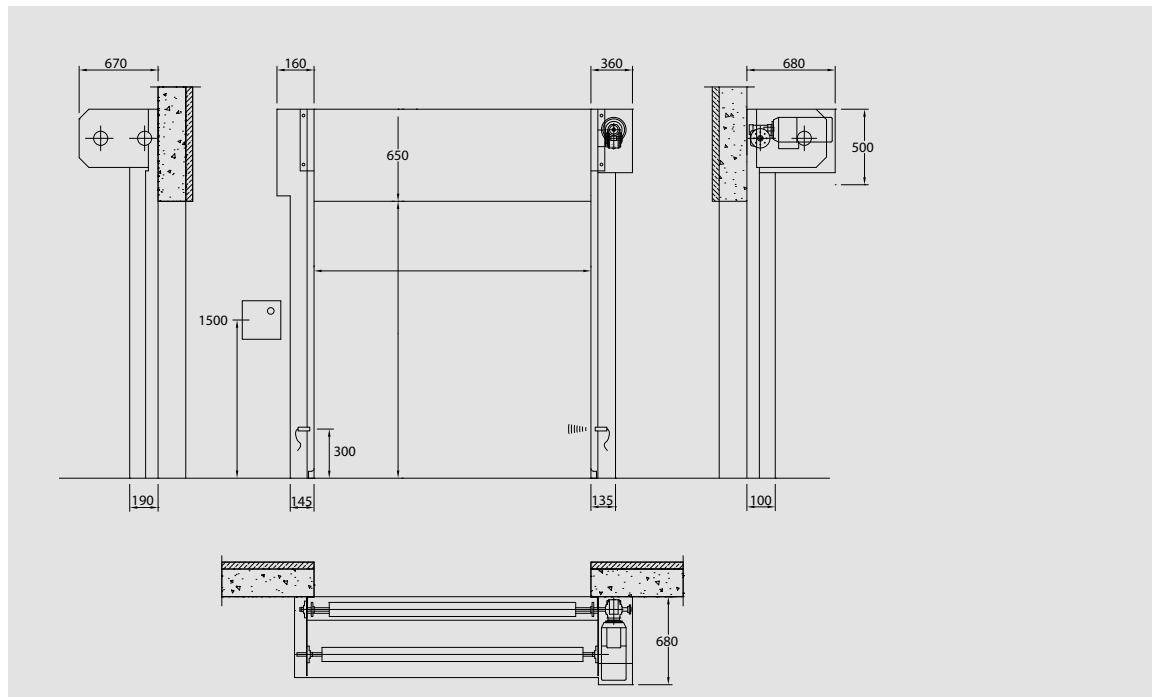
To increase the admission of daylight or to improve the visibility, the door curtain can be equipped with windows. Windows have fixed sizes and are located on a pre-defined grid.

### Technical Data

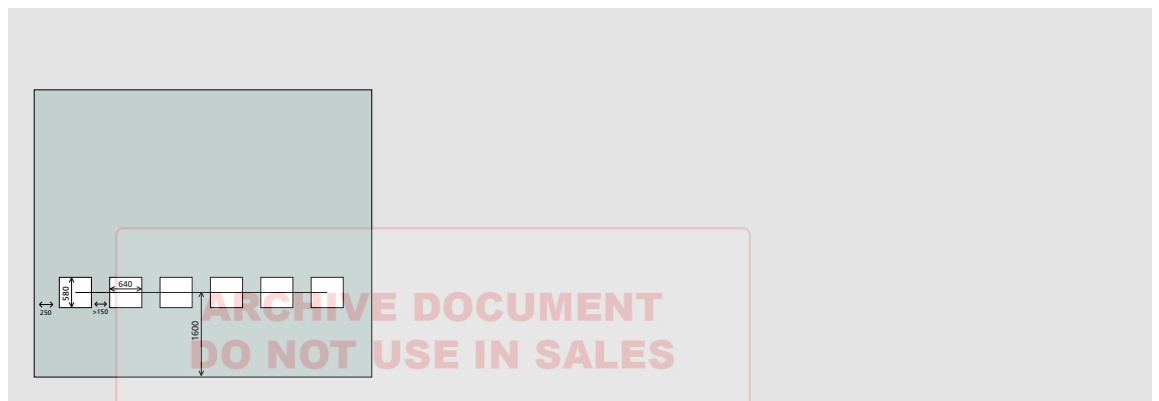
Min size (W x H)	5500 x 2000 mm
Max size (W x H) <sup>1)</sup>	11000 x 5500 mm
Operating speed	opening: up to 0,8 m/s <sup>2</sup> closing: 0,4 m/s
Wind load resistance, EN 12424	class 1 (300 N/m <sup>2</sup> )
Water penetration, EN 12425	class 1 (30 N/m <sup>2</sup> )
Air permeability, EN 12426	class 1 (24 m <sup>3</sup> /m <sup>2</sup> /h at 50 Pa)
Thermal transmittance	6,02 W/ (m <sup>2</sup> K)
Lifetime expectations	750.000 cycles

1) Other sizes available on request 2) Depending on door size

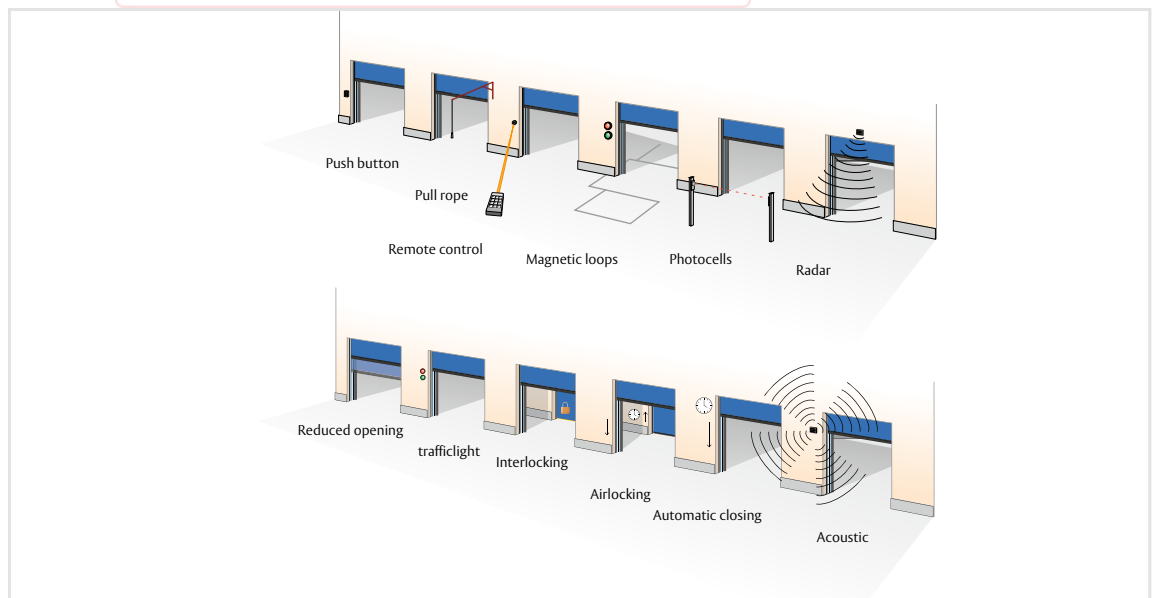
## Dimensional specifications



## Windows and Vision panels



## Options access and automation



## Standard available colours

